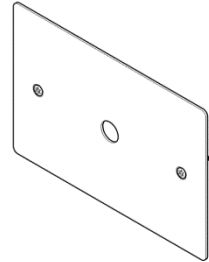


SS Single Flush Push Plate Polished for Piezo Button w/ OLI Rods



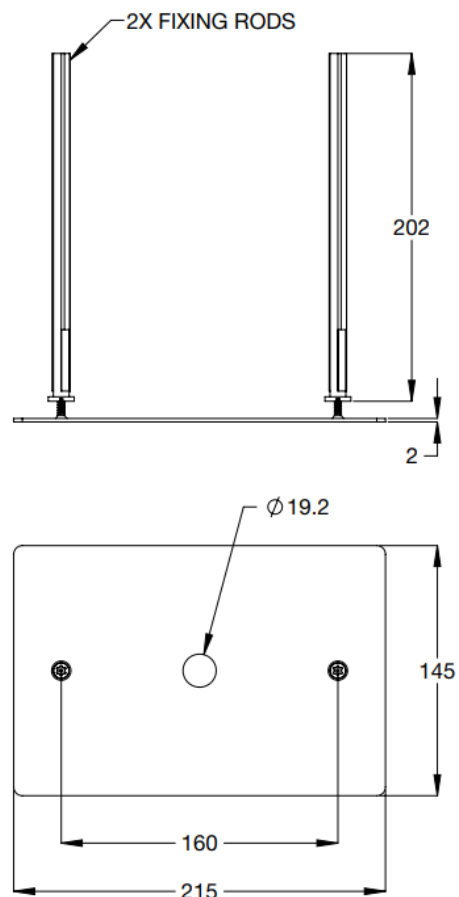
PRODUCT CODE

- 656505

SPECIFICATIONS

- Face plate for Piezo Button-Activated Wallgate Water Controller Electronic Cistern.
- 2mm thick, Vandal resistant stainless-steel faceplate.

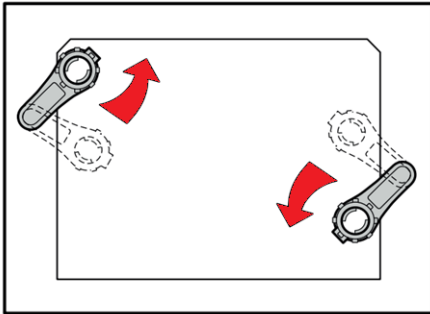
DIMENSIONS



INSTALLATION

INSTALLATION COMPLIANCE: Galvin Engineering products must be installed in accordance with these installation instructions and your local regulatory requirements. Water and/or electrical supply conditions must also comply to the applicable national and/or state standards. Failing to comply with these provisions shall void the product warranty and may affect the performance of the product.

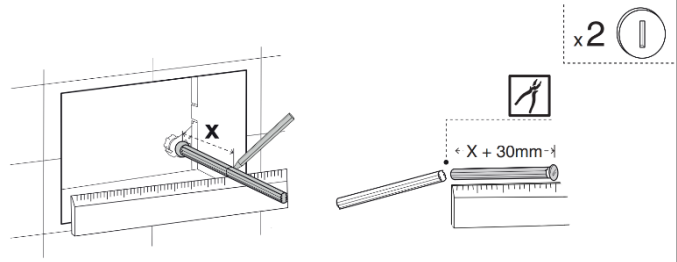
1.



Prepare the fixing plate.

- Position the fixing rod holders as shown.

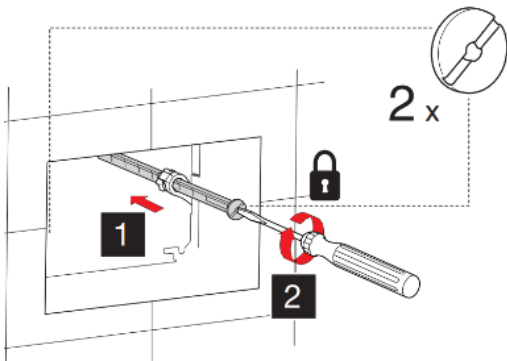
2.



Cut the fixing rods to correct size.

- Measure the required length and cut the excess.

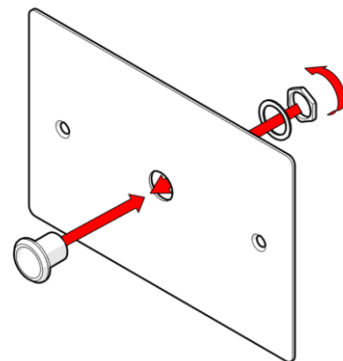
3.



Secure the fixing rods.

- Insert the fixing rods into the fixing plate to the correct depth.
- Turn the lock to secure the fixing rods in place.

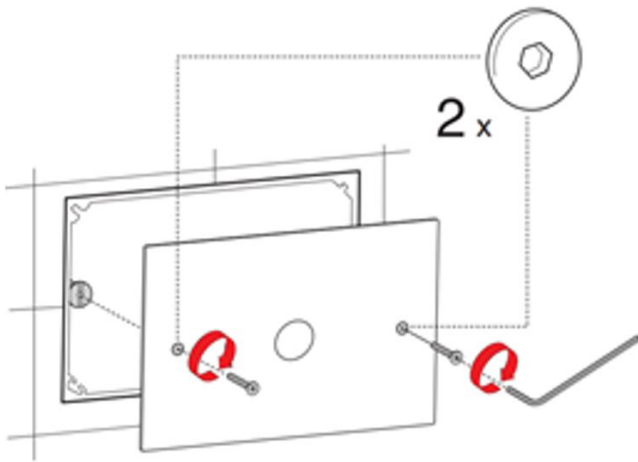
4.



Assemble the Piezo button (sold separately) and faceplate.

- Insert the Piezo button into the faceplate and fasten together using the hex nut.
- Check the relevant product manual or Galvin Engineering's website, e.g., CIST19-ELEC Installation Guide, regarding instructions on how to connect the button to the electronic control unit.

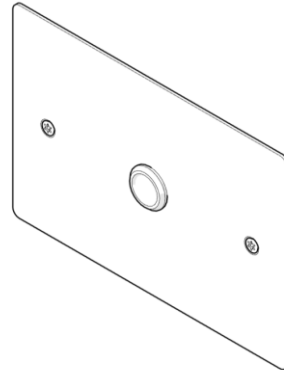
5.



Mount the faceplate.

- Apply a thin bead of silicon on the edge of cut out.
- Mount the faceplate to the wall using the two countersunk torx screws.
- Ensure the screws are securely tightened and the faceplate is mounted flush to the wall.

6.



Check for correct operation.

WARRANTY

The warranty set forth herein is given expressly and is the only warranty given by the Galvin Engineering Pty Ltd. With respect to the product, Galvin Engineering Pty Ltd makes no other warranties, express or implied. Galvin Engineering Pty. Ltd. hereby specifically disclaims all other warranties, express or implied, including but not limited to the implied warranties of merchantability and fitness for a particular purpose.

Galvin Engineering Pty Ltd products are covered under our manufacturer's warranty available for download from www.galvinengineering.com.au Galvin Engineering Pty Ltd expressly warrants that the product is free from operational defects in workmanship and materials for the warranty period as shown on the schedule in the manufacturer's warranty. During the warranty period, Galvin Engineering will replace or repair any defective products manufactured by Galvin Engineering without charge, so long as the terms of the Manufacturer's warranty are complied with.

The remedy described in the first paragraph of this warranty shall constitute the sole and exclusive remedy for breach of warranty, and Galvin Engineering Pty Ltd shall not be responsible for any incidental, special or consequential damages, including without limitation, lost profits or the cost of repairing or replacing other property which is damaged if this product does not work properly, other costs resulting from labour charges, delays, vandalism, negligence, fouling caused by foreign material, damage from adverse water conditions, chemical, electrical or any other circumstances over which Galvin Engineering has no control. This warranty shall be invalidated by any abuse, misuse, misapplication, improper installation or improper maintenance or alteration of the product.